

LEGEND^{NX}

LGNXDO5ADWPTZ32X

5.1 MP Active Deterrence 32X PTZ

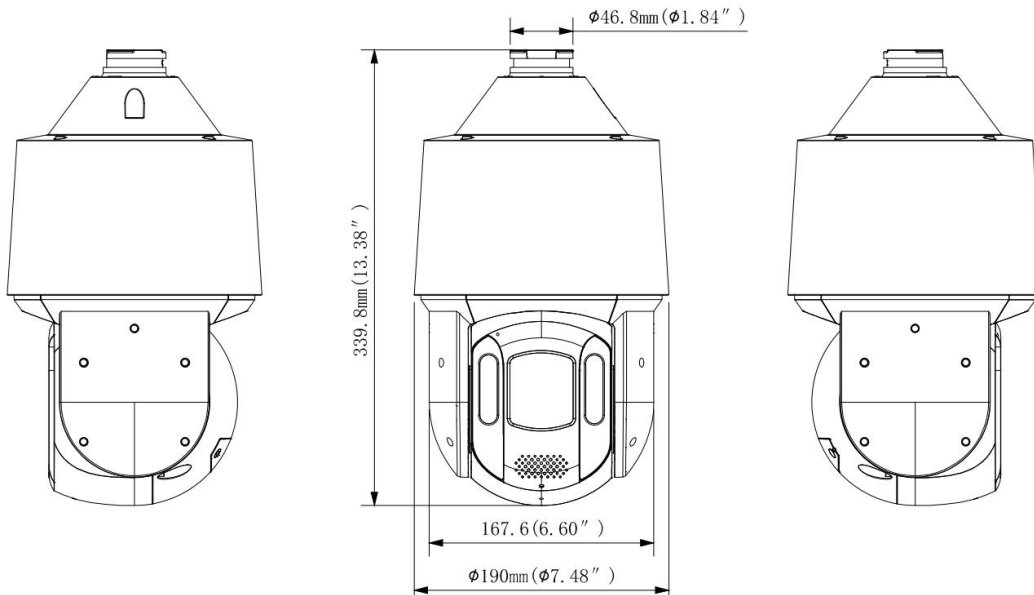
- 5MP High-Resolution Imaging
- 32x Optical zoom
- 130dB Superior True WDR Technology
- Automatic Tracking
- Up to 200m IR Range
- Built-in Mic and Audio
- Water and dust resistant (IP67)
- iQuality technology focusing on humans and vehicles detection



In short

This 5MP camera offers high-resolution imaging with a 32x optical zoom and 130dB Superior True WDR technology for clear details in various lighting conditions. It features automatic tracking, up to 200m IR range, built-in mic and audio, and iQuality technology for precise detection of humans and vehicles, all housed in an IP67 water and dust-resistant design.

Dimensions



*Design and specifications are subjects to change without notice.

Technical Specifications

| Camera: LGNXDOADWPTZ32X | | | | |
|--------------------------|--|---------|-----------|----------|
| Image Sensor | 1/2.8" Progressive Scan CMOS Sensor | | | |
| Minimum Illumination | Color: 0.005 Lux at F1.6, B/W: 0.0005 Lux at F1.6, 0 Lux with IR light on | | | |
| Illumination Distance | 200m / 656.2ft (IR light) 50m / 164.04ft (Warm light) | | | |
| Illumination | 4 IR LED, 2 Laser, 4 White light LED | | | |
| Active Deterrence LED | 1 Red light and 1 Blue light | | | |
| Wavelength | 850nm | | | |
| IR On/Off Control | Auto/Manual | | | |
| Shutter Time | Auto/Manual, 1/1 ~ 1/100000s | | | |
| Smart IR | Supported | | | |
| S/N Ratio | >56dB | | | |
| Lens | | | | |
| Focal Length | 32x optical zoom / 16x digital zoom, 4.8 ~ 154 mm | | | |
| Aperture | F1.6 ~ F4.3 | | | |
| Field of View | 4.8 ~ 154 mm: Horizontal FOV: 54.4° ~ 2.3°, Vertical FOV: 41.1° ~ 1.7°, Diagonal FOV: 67.2° ~ 2.8° | | | |
| Zoom Speed | 5.66s | | | |
| Focus Control | Auto, Semi-Auto, Manual | | | |
| DORI | Detection | Observe | Recognize | Identify |
| 4.8mm | 109m | 43.6m | 21.8m | 10.9m |
| 154mm | 2500m | 1000m | 500m | 250m |
| Camera Image | | | | |
| Maximum Resolution | 5MP (2592 × 1944) | | | |
| Main Stream | 50Hz: 25fps: 2592 × 1944, 2304 × 1728, 1920 × 1080, 1280 × 960, 1280 × 720 | | | |
| | 60Hz: 30fps: 2592 × 1944, 2304 × 1728, 1920 × 1080, 1280 × 960, 1280 × 720 | | | |
| Sub Stream | 50 Hz: 25 fps (704 × 576, 640 × 480, 352 × 288) | | | |
| | 60 Hz: 30 fps (704 × 480, 640 × 480, 352 × 240) | | | |
| Third Stream | 50 Hz: 25 fps (1920 × 1080, 1280 × 960, 1280 × 720, 704 × 576, 640 × 480, 352 × 288) | | | |
| | 60 Hz: 30 fps (1920 × 1080, 1280 × 960, 1280 × 720, 704 × 480, 640 × 480, 352 × 240) | | | |
| U-code | H.264+ / H.265+ | | | |
| Image Setting | Brightness / Contrast / Saturation / Hue / Sharpness | | | |
| White Balance | Supported | | | |
| Shutter Time | Auto/Manual, 1/1 ~ 1/100000s | | | |
| Day/Night | IR Cut Filter with Auto Switch | | | |
| Wide Dynamic Range | 130 dB | | | |
| Digital Noise Reduction | 2D/3D DNR | | | |
| BLC, HLC, ROI, Starlight | Supported | | | |
| RotateX | Supported | | | |

*Design and specifications are subjects to change without notice.

Technical Specifications

| Compression | |
|-------------------------|--|
| Video Compression | Main Stream : H.265+ / H.265 / H.264+ / H.264 Sub Stream : H.265 / H.264 / MJPEG Third Stream : H.265 / H.264 |
| H.265 Code C Profile | Main Profile |
| H.264 Code C profile | Base Profile / Main Profile / High Profile |
| Video Bit Rate | 32Kbps ~ 16Mbps |
| Triple Streams | Support |
| Audio Compression | Auto/Manual |
| Two-way Audio | Support |
| Suppression | Support |
| Sampling Rate | 8KHz |
| Smart Feature | |
| Basic Event | Motion Detection, Video Tampering |
| Smart Event | Smart motion detection, line crossing, area intrusion, region entrance, region exiting (support alarm triggering by specified target types (human and vehicle)) |
| Auto tracking | Support |
| Face Detection | Support |
| Active Deterrence | Red & Blue warning light and supported sound warning |
| Network | |
| Network Storage | NAS (NFS / CIFS) |
| Protocols | TCP/IP, ICMP, HTTP, HTTPS, FTP, DHCP, DNS, DDNS, RTP, RTSP, RTCP, NTP, IGMP, UPnP, SMTP, UPnPPTM, P2P |
| System Compatibility | ONVIF (Profile S, Profile G, Profile T0, CGI |
| Security | User Authentication, IP adress filtering, V |
| User | 40 |
| Software | ARKIV, Legend NX |
| Web Browser | Live view plug-in required: IE 10, IE 11 |
| | Local Service : Chrome 57.0 and + and Firefox 52.0 and + |
| Mobile Surveillance | IOS, Android |
| Hardware | |
| Communication Interface | 1 RJ45 10 M/100 M self-adaptive Ethernet port |
| Storage | Up to 512 GB |
| Built-in Mic | Supported |
| Built-in Speaker | Supported |
| Audio I/O | 1/1 |
| Alarm I/O | 2/1 |
| Serial Port | N/A |
| Video Output | N/A |
| Reset Button | Supported |

*Design and specifications are subjects to change without notice.

Technical Specifications

| Pan and Tilt | |
|----------------------|---|
| Pan Range | 360° endless |
| Pan Speed | Configurable from 0.1° to 240°/s; preset speed: 240°/s |
| Tilt Range | -15° to +90° (auto flip 180°) |
| Tilt Speed | Configurable from 0.1° to 80°/s, preset speed 200°/s |
| Proportional Zoom | Rotation speed can be adjusted automatically according to zoom multiples |
| Number of Preset | 255 |
| Power-off Memory | Supported |
| Patrol | 32 Automatic patrols |
| Preset Patrol | 32 patrols, up to 32 presets for each patrol |
| Route patrol | Supported |
| Recorded Patrol | 8 patrols, up to 128 actions for each patrol |
| Patrol Stay Time | 15s ~ 255s |
| Preset Image Freeze | N/A |
| Home Position | Supported |
| 3D Positioning | Supported |
| General | |
| Operating Conditions | (-40 °C ~ 70 °C) (-40 °F ~ 158 °F) Humidity 95% or less (non-condensing) |
| Power Supply | DC36V |
| Power Consumption | Max 30W |
| Power Interface | Pressed wire connectors with a spacing of 8mm |
| Protection level | IP67 |
| Surge Protection | 6000V lightning protection, surge protection and anti-surge protection |
| Dimensions | φ190 × 339.8mm (7.48" × 13.38") |
| Weight | 7650g / 16.86 lb |

*Design and specifications are subjects to change without notice.

What you may need



XLGNXC1A4
Pendant Mount for NX PTZ
225 mm × 182 mm × 97.3 mm



XLGNXPC1A5
Corner Mount Bracket for NX PTZ
194 mm × 184.8 mm × 104.1 mm



XLGNXC2A1
Pendant Mount Bracket for NX PTZ
Φ116 × 52mm



XLGNXKA3
NX PTZ Keyboard
327mm x 180mm x 126mm

*Design and specifications are subjects to change without notice.